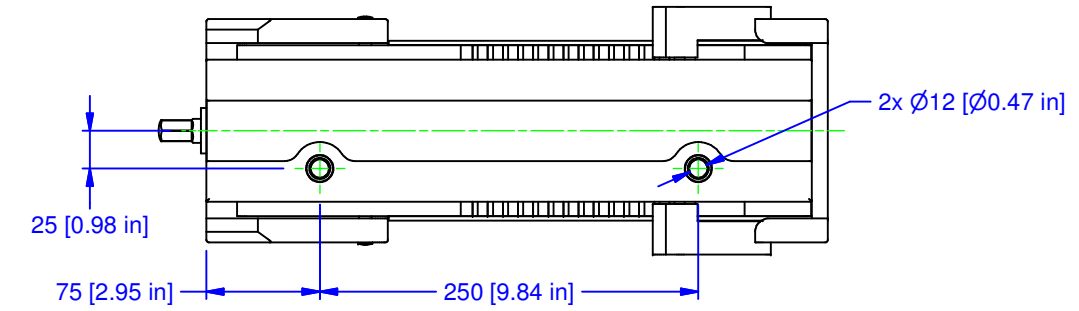
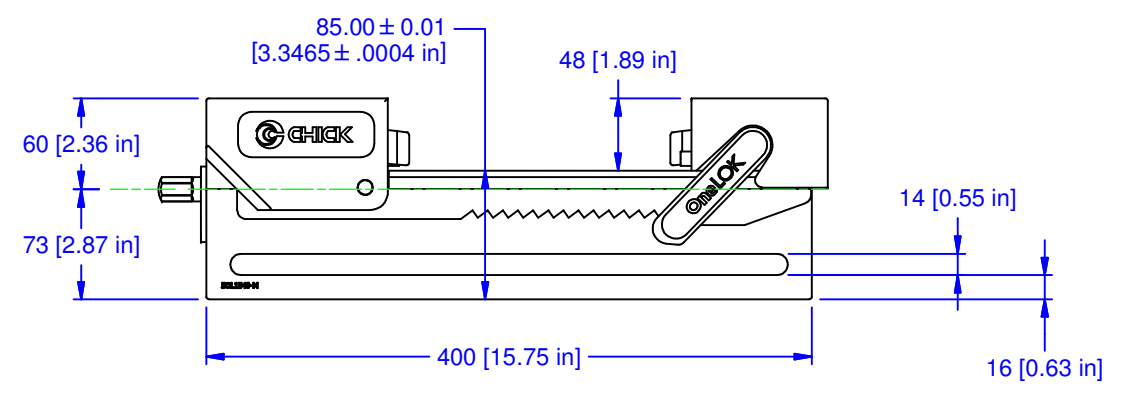
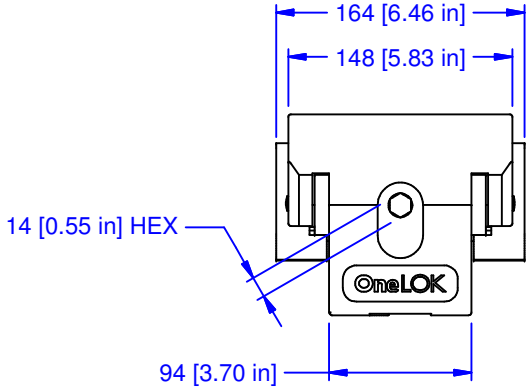
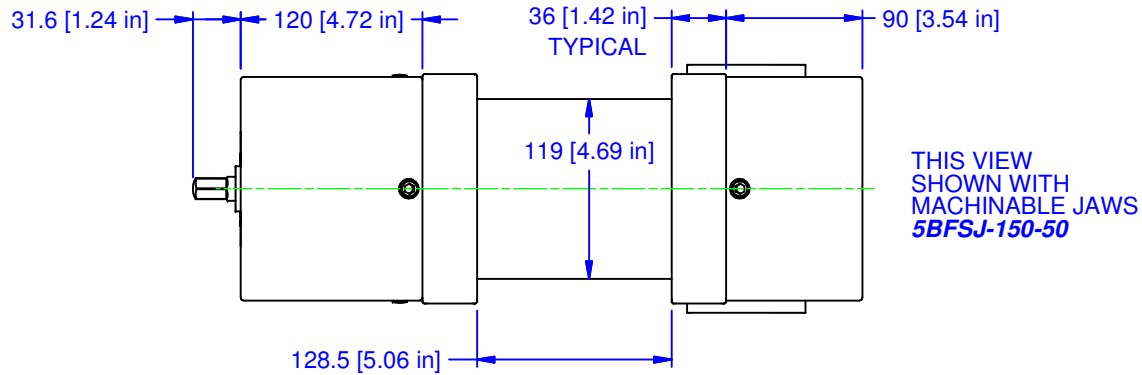


Weight: 19 kg (42 lb)

Contact us at:
ChickWorkholding.com
724.772.1644

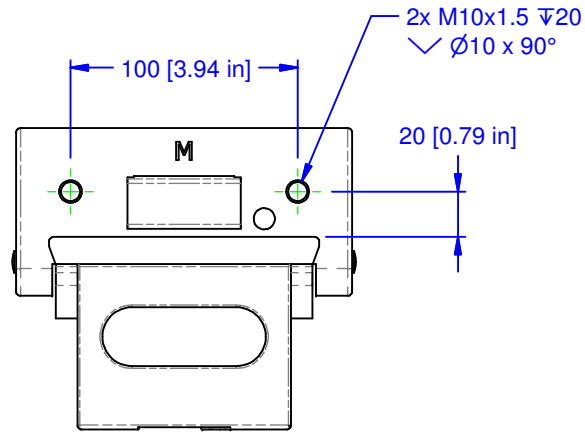
50L1540-M
OneLOK (400mm Long)



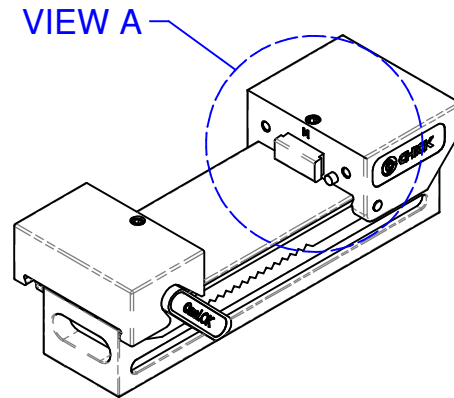
Contact us at:
 ChickWorkholding.com
 724.772.1644

50L1540-M
 OneLOK (400mm Long)

BoltFast Bolt-On Jaw Interface

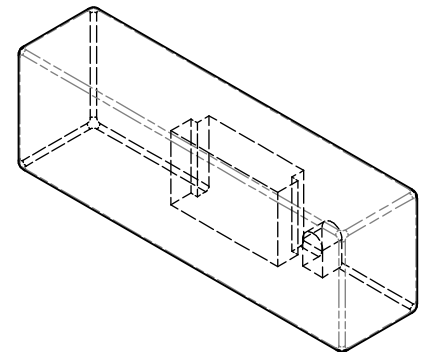
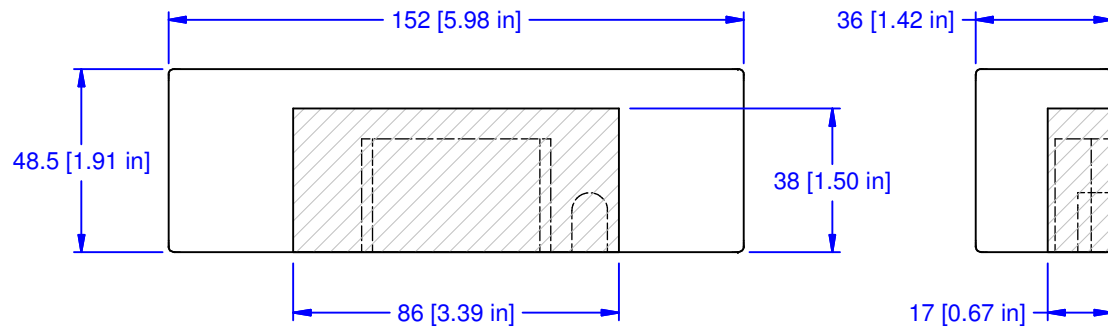


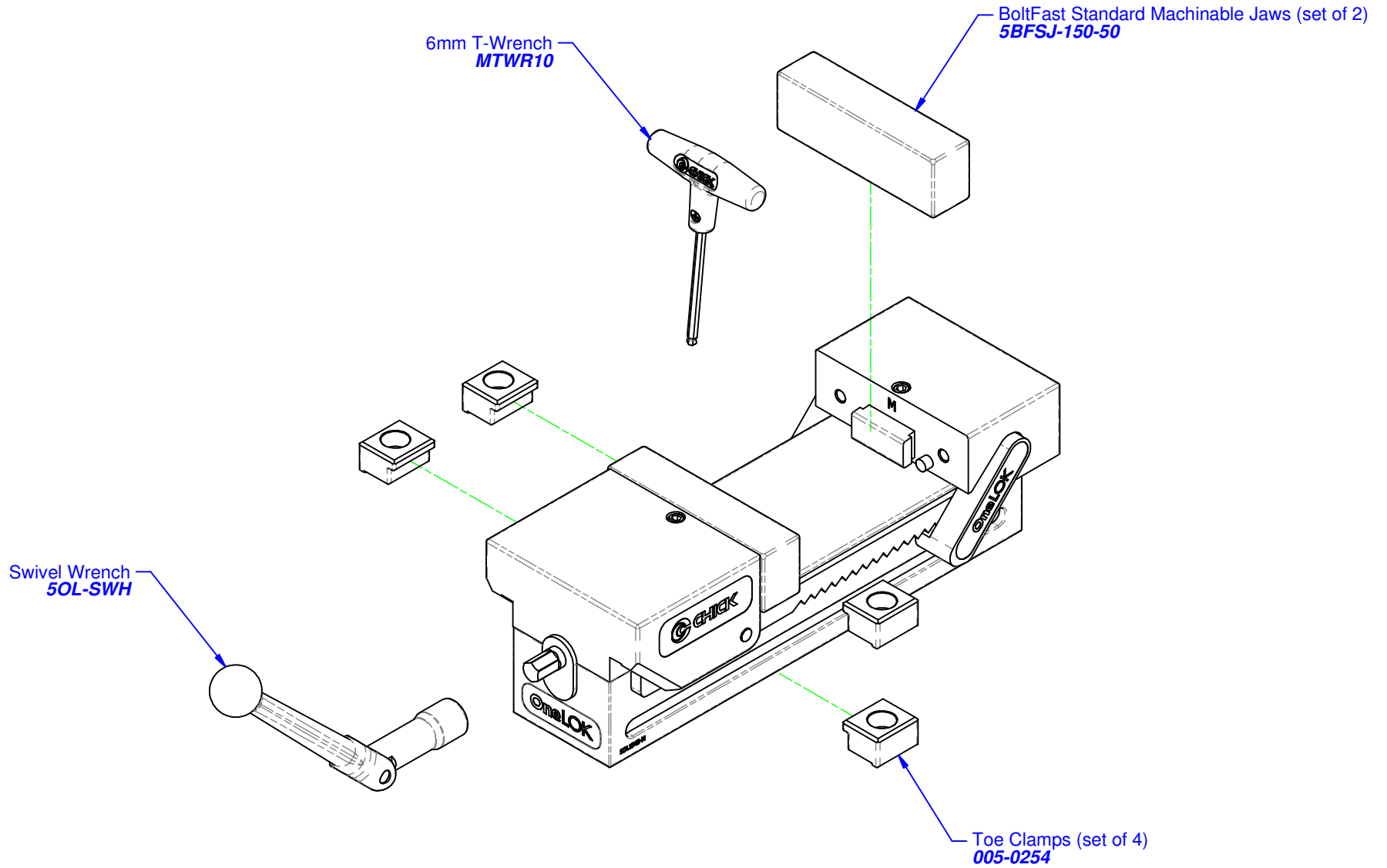
VIEW A

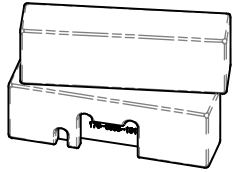


BoltFast Non-Machinable Area

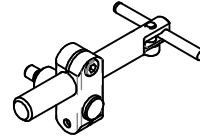
(represented in by gray hatched region)



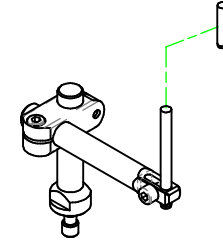




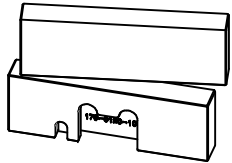
BoltFast Standard Machinable Jaw Set
5BFSJ-150-50



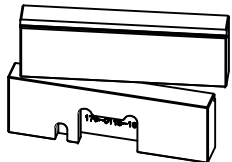
Workstop, One-Lok
5WS-OL



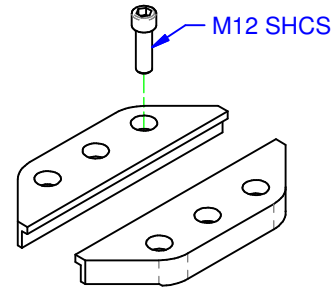
Workstop, Foundation
5WS



BoltFast Plain Hard Jaw Set
5BFHJ-150



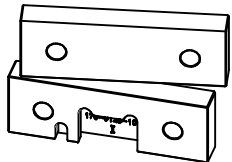
BoltFast Stepped Hard Jaw Set
5BFST-150-06



Foundation Mounting Kit (set of 2)
5OL-FMK
(includes 6x M12 SHCS)



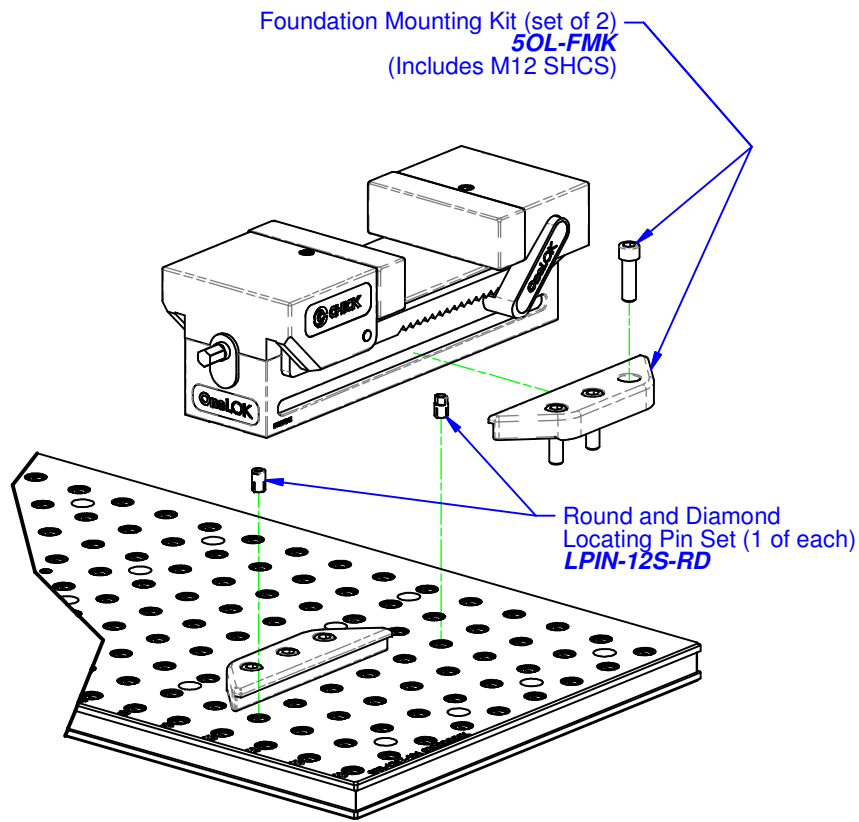
Round and Diamond
Locating Pin Set (1 of each)
LPIN-12S-RD



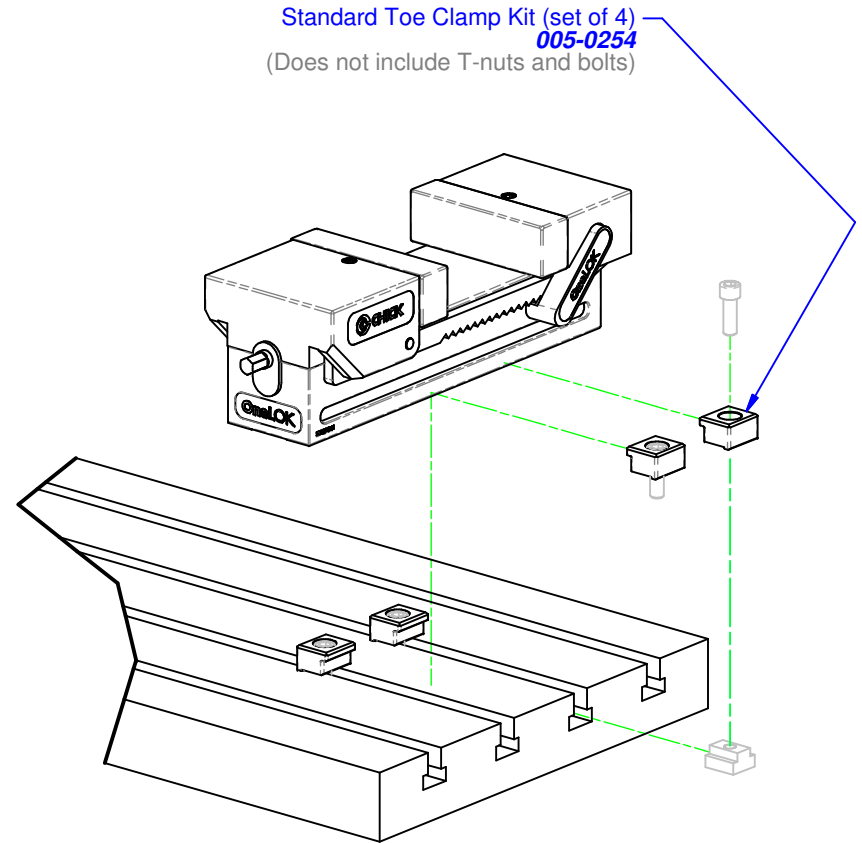
BoltFast Bolt-On Basic Vise Adapter Jaw Set
5BFAJ-M

Contact us at:
ChickWorkholding.com
724.772.1644

5OL1540-M
OneLOK (400mm Long)



Mounting to a Foundation

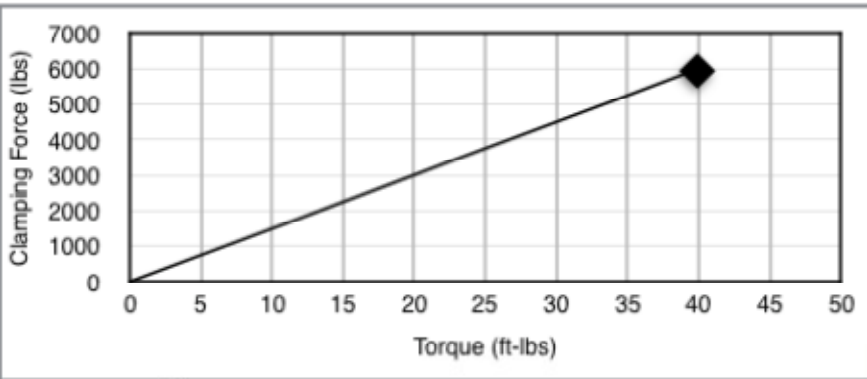


Mounting to a T-Slotted Table

Pounds (lbs)

Force =	Torque	X	Slope
lbs =	in-lb	X	12.5
lbs =	ft-lbs	X	150

Torque (ft-lb)	Torque (lbs)
0	0
10	1500
20	3000
30	4500
40	6000

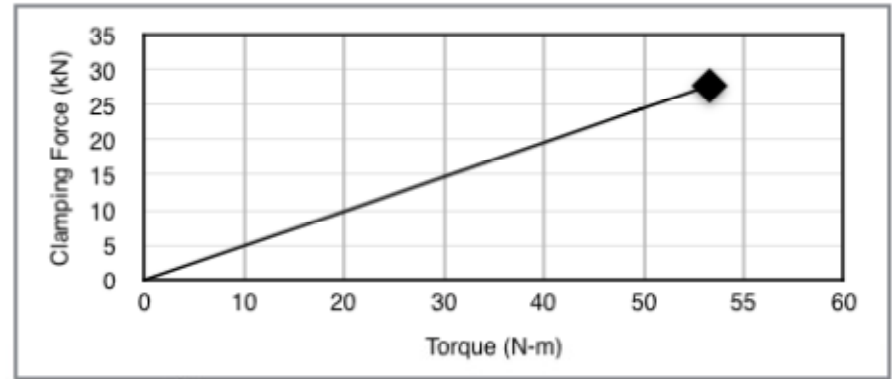


Note: Maximum Recommended Torque. Actual results may vary.

Kilo Newtons (kN)

Force =	Torque	X	Slope
N =	N-m	X	492
kN =	N-m	X	0.492

Torque (N-m)	Force (kN)
0	0
10	4.9
20	9.8
30	14.7
40	19.6
50	24.6
54	26.5



Note: Maximum Recommended Torque. Actual results may vary.